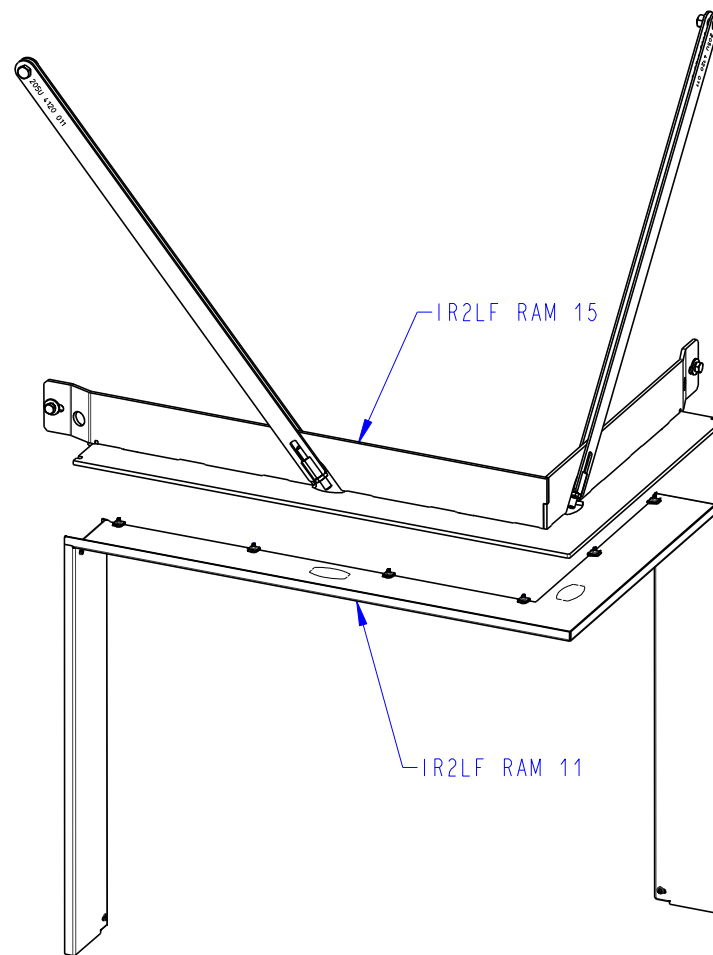
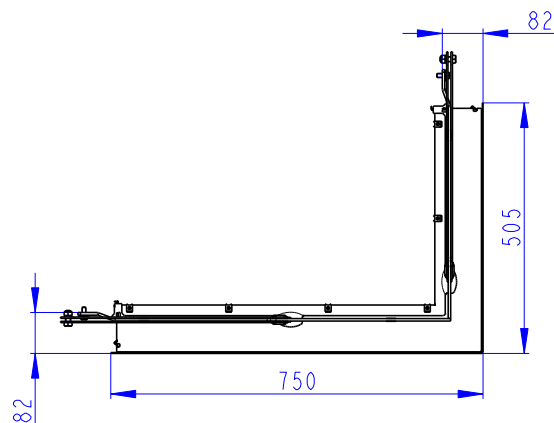
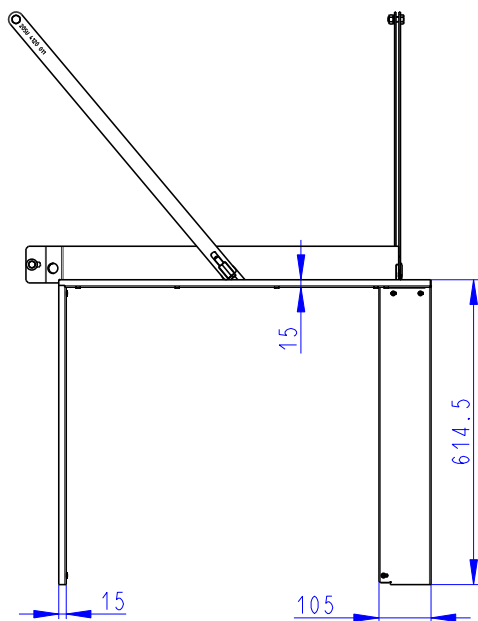
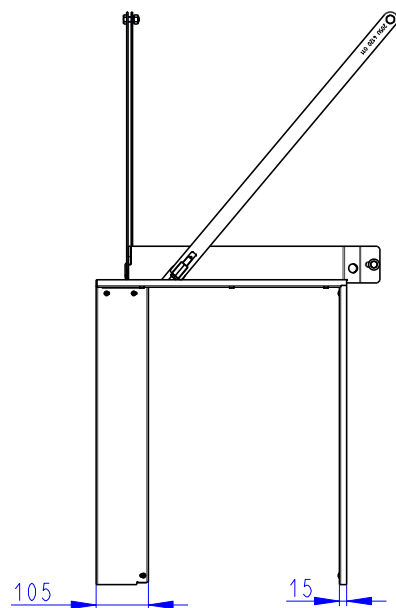


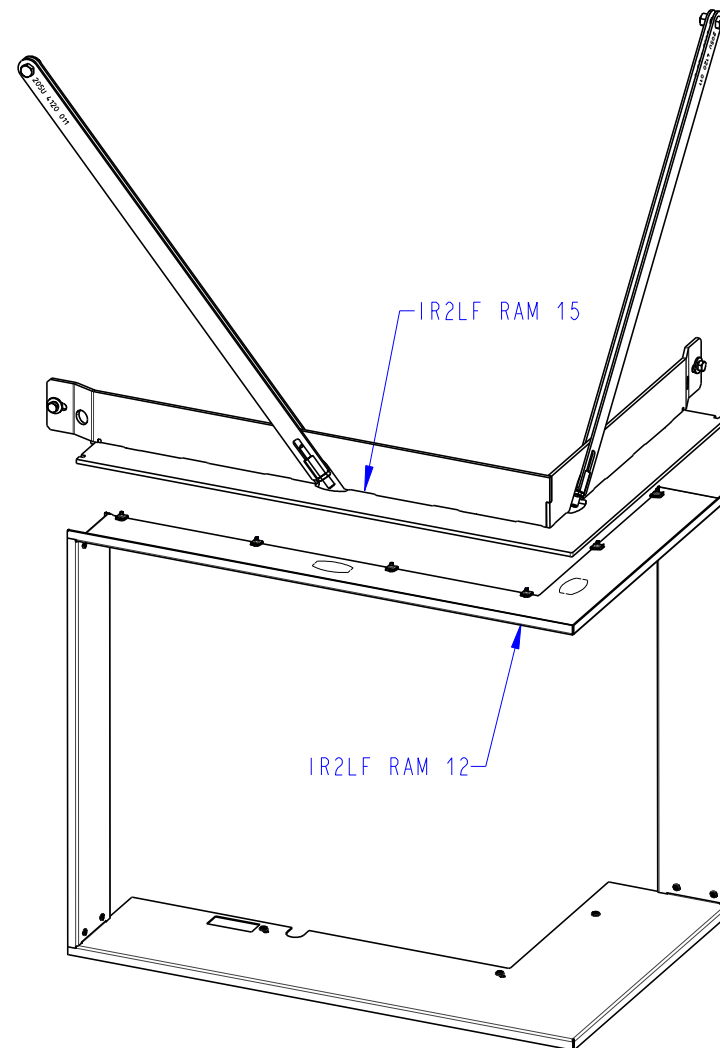
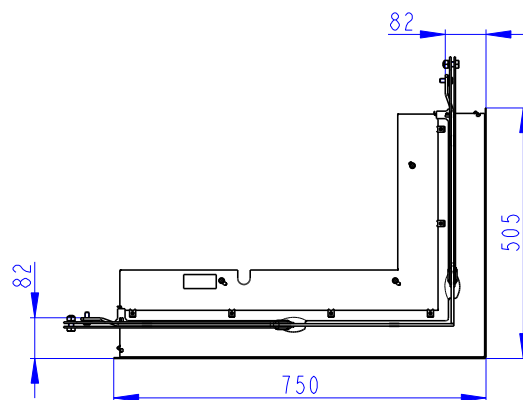
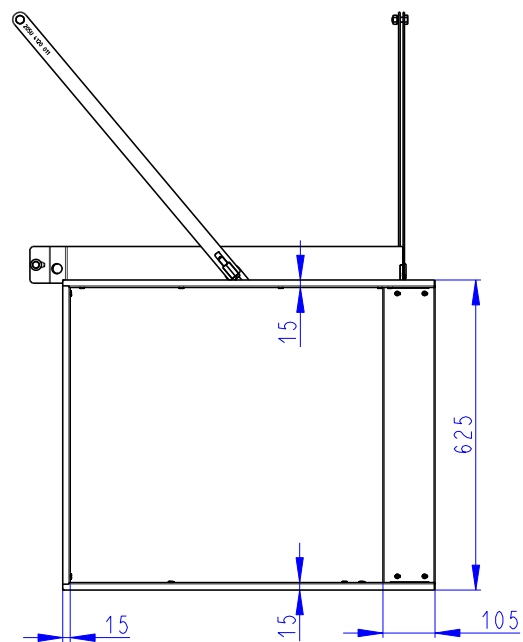
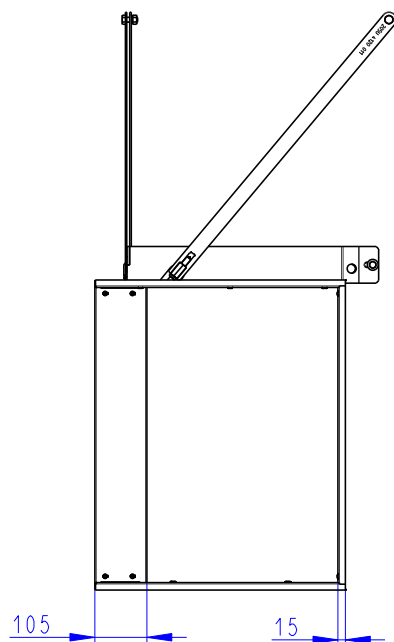
IR2LF RAM 15  
+ IR2LF RAM 11

13 kg



IR2LF RAM 15  
+ IR2LF RAM 12

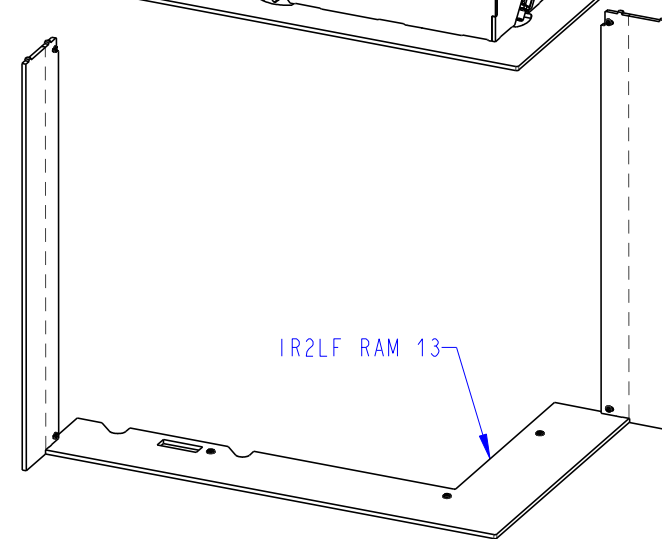
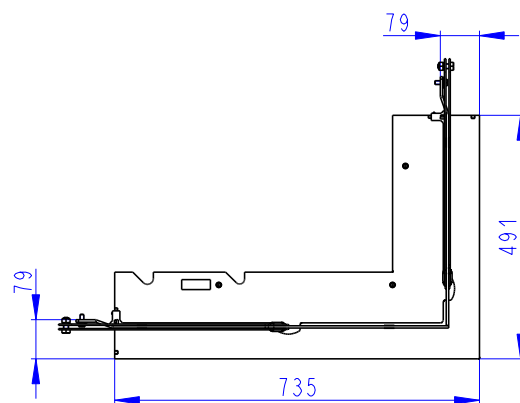
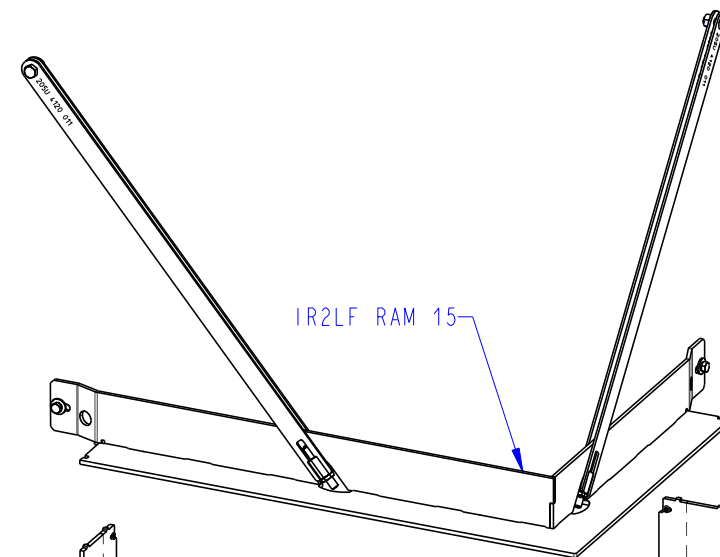
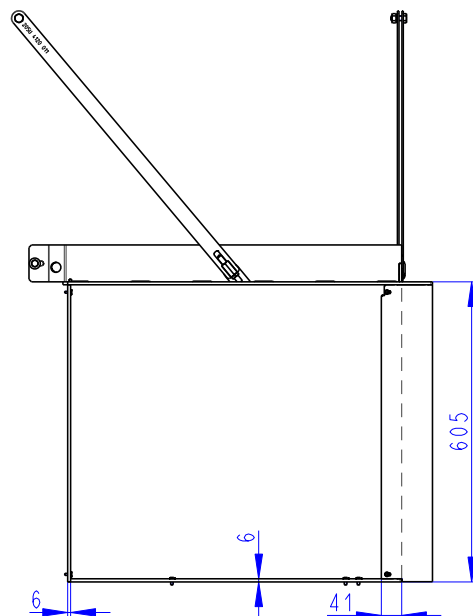
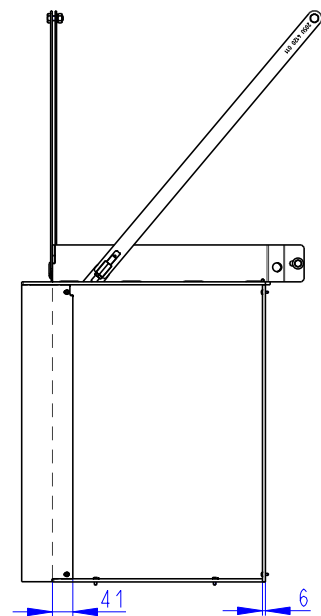
15,2 kg



Rozmery v mm; Maße in mm; Dimensions in mm

IR2LF RAM 15  
+ IR2LF RAM 13

17 kg



Rozmery v mm; Maße in mm; Dimensions in mm

IR2LF RAM 15  
+ IR2LF RAM 14

24 kg

